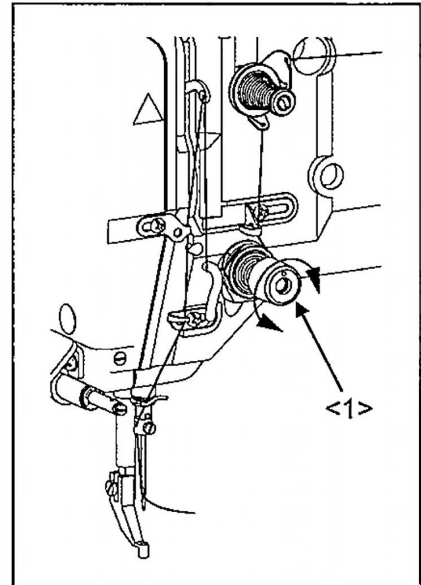


Adjustment of upper thread tension

Adjust the upper thread tension corresponding to the bobbin Thread tension. The upper thread tension becomes tight when tightening the thread tension adjusting nut (No.1) clockwise, and the upper thread tension becomes loose when loosening the thread tension adjusting nut counterclockwise.



<1>: Thread tension adjusting nut